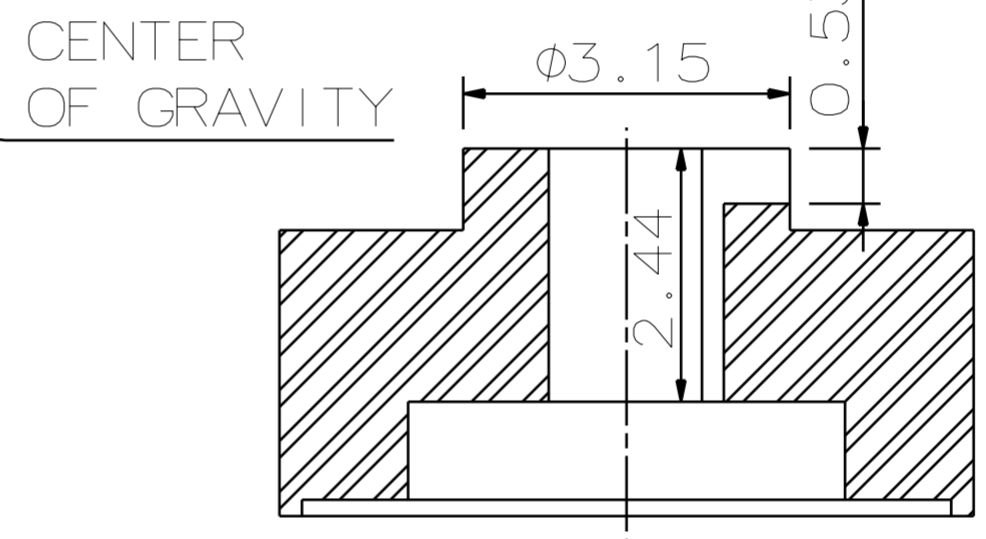
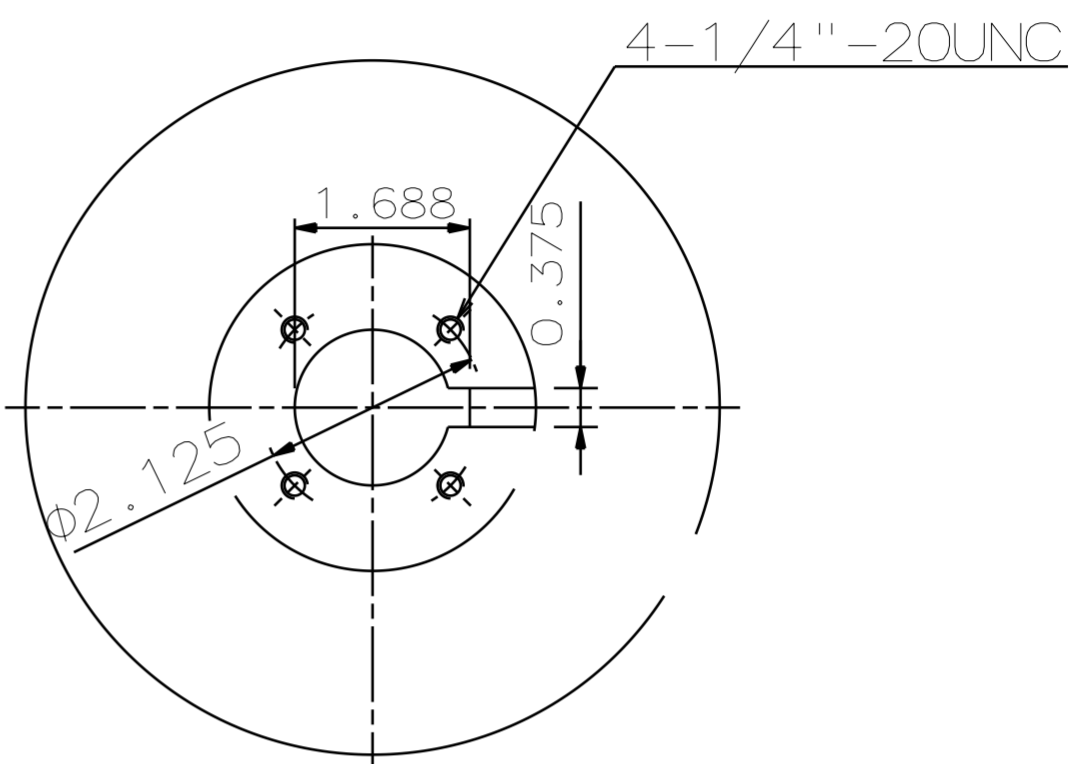
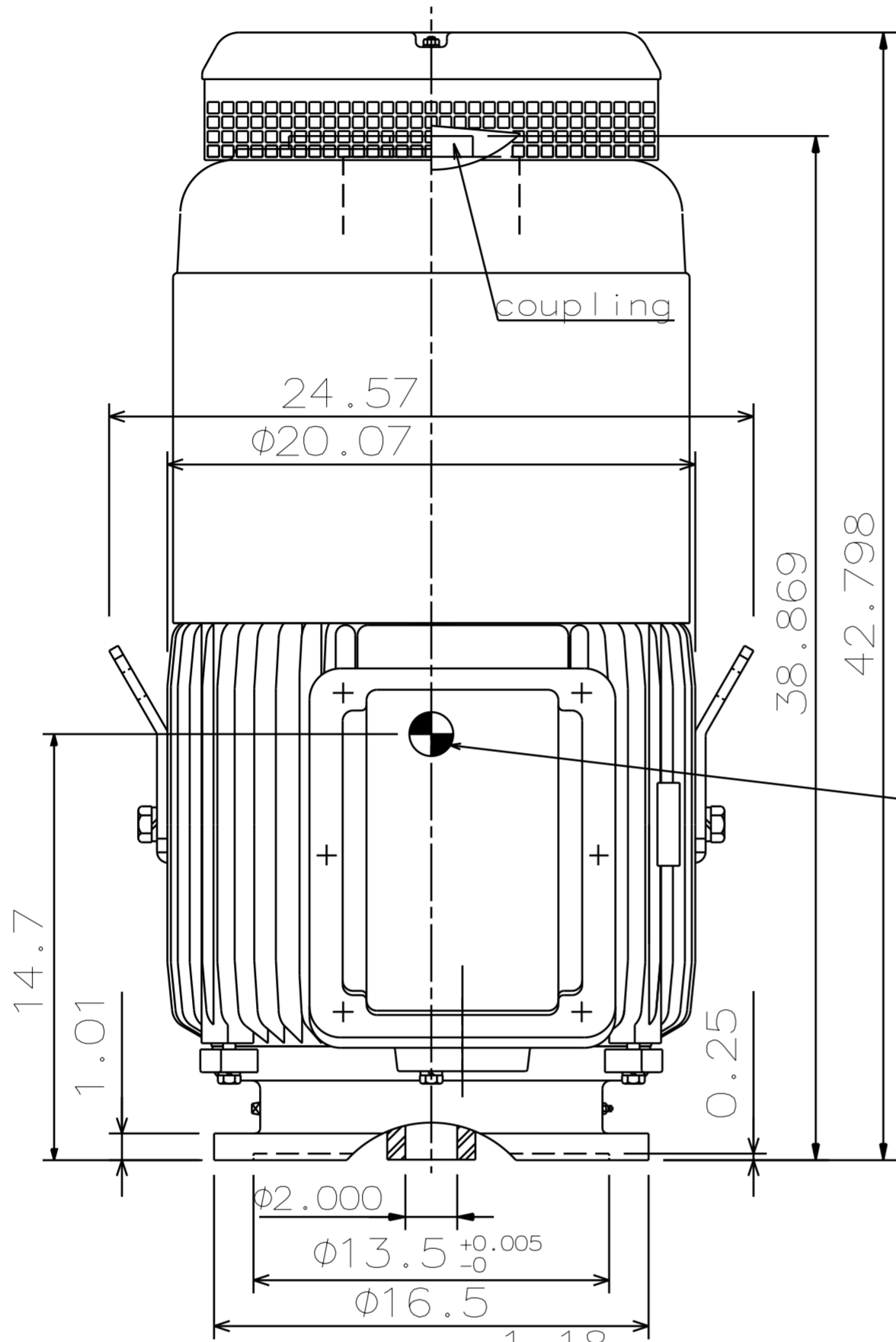


|                             |   |                       |
|-----------------------------|---|-----------------------|
| CATALOG NUMBER:<br>VHTP0606 | OUTLINE DIMENSIONS<br>3-PHASE INDUCTION MOTOR | MOTOR TYPE:<br>AEEHNH |
| DATE OCT-03-2017            |   | FRAME NO. 404TP       |

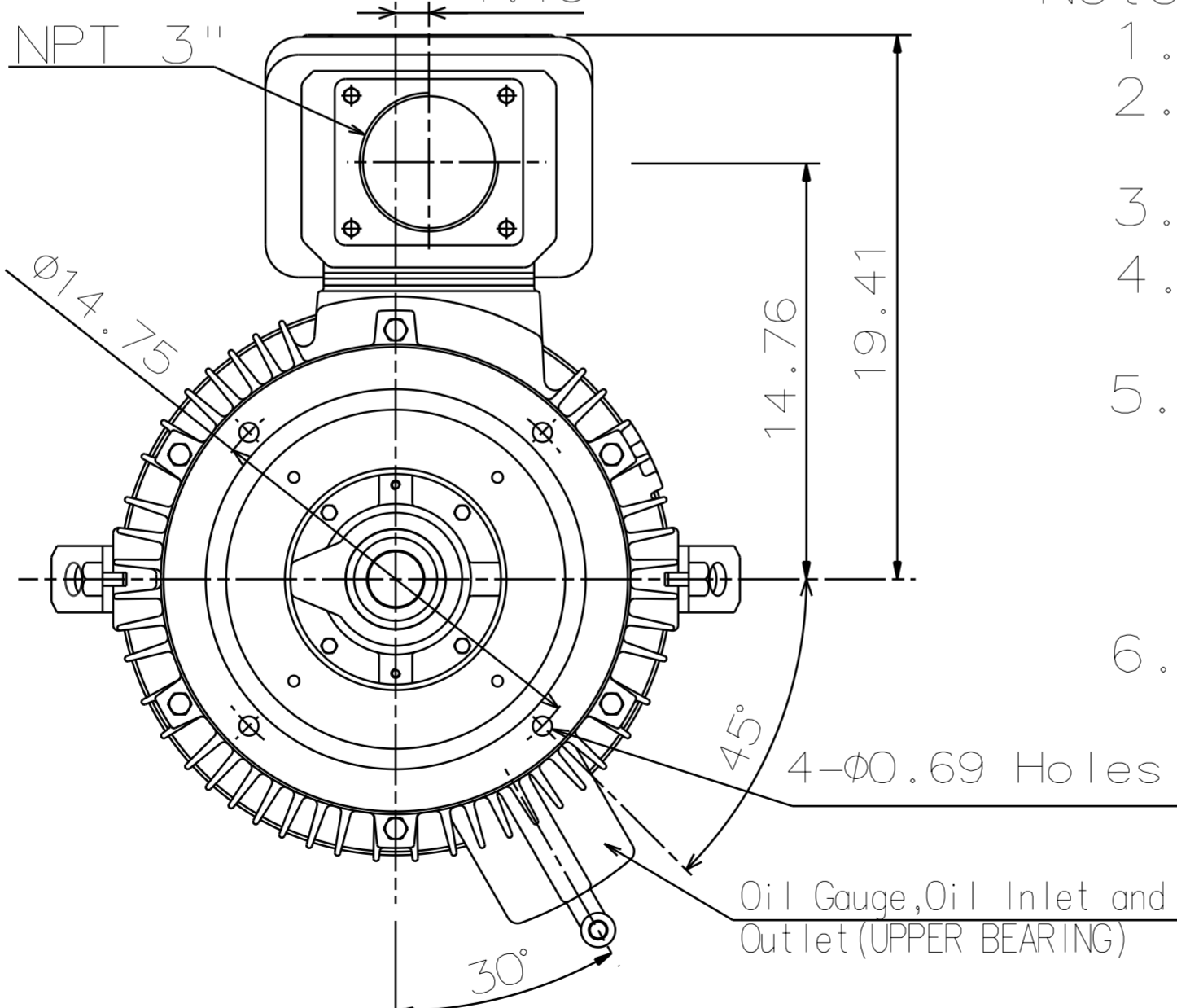
|      |    |    |    |         |             |
|------|----|----|----|---------|-------------|
| Pole | HP | kW | Hz | VOLT    | r/min (rpm) |
| 6    | 60 | 45 | 60 | 230/460 | 1200        |

|     |        |              |               |                       |
|-----|--------|--------------|---------------|-----------------------|
| Ins | Rating | Dimension in | Approx Weight | Bearings              |
| F   | CONT.  | inches       | 1210 lbs      | DE: 6315C3 NDE: 7322B |

Totally Enclosed Fan Cooled Vertical Type. Squirrel-cage Rotor.



Coupling Dimension



- Note:
1. IP44 Protection.
  2. Rotation: C.C.W. (View from top)
  3. With Ball Type N.R.R.
  4. Down Thrust: 9000 lbs. (L10: 8800 hrs)
  5. Space Heater Rated At 120 volts. Leads Terminate In The Main Lead Box.
  6. Reed Critical Frequency: 50.6 Hz.

TA17129-00-00

|  |  |  |
|--|--|--|
|  |  |  |
|--|--|--|

|       |          |  |              |
|-------|----------|--|--------------|
| DWG.  | 04.21.17 |  | DWG NO.      |
| CHKD. | 04.28.17 |  | 31057A713030 |
| APPD. | 04.28.17 |  |              |